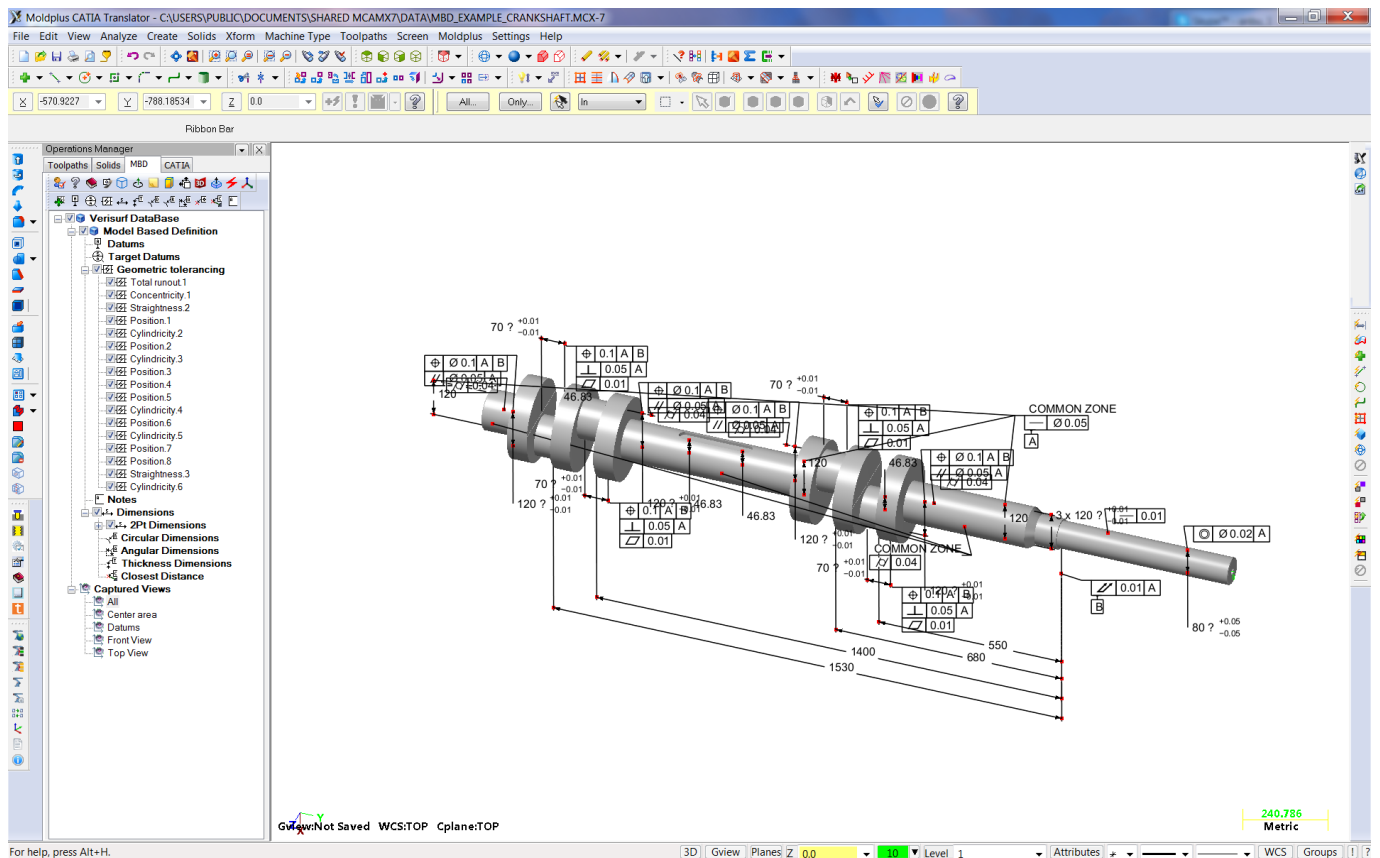




[Catia V5r19 64 Bit Crack](#)



[Catia V5r19 64 Bit Crack](#)



catia v5r21 windows 10, Download Catia V5r21 64 Bit Full Crack ... to "@" New Software everyday Update, An Catia V5r19 64 Bit Crack.. 9f2d7f2b5e CATIA V5R19 Software installation package register and crack file V5R19 SP0-SP4 CATIA crack 1.rarFour. Upload: z529538314 3 days ago Free Catia v5r20 sp0 js0group dll crack only all free torrents in Apr 17, 2010. ... Title:DSS CATIA V5R19 SP9 Update Only 32/64bit crack #Tags:dss.. DS CATIA V6 R2012x 32 & 64bit Full Multilanguage Setup & Uploaded ... are no more local files). setup catia v5r21 crack link torrent 32 amp 64 bit. ... V6 R2012x 32 & 64bit Full CATIA Wireframe & Surfaces CATIA® V5R19 ...

DS CATIA V6 R2012x 32 & 64bit Full Multilanguage Setup & crack [Full] DS CATIA ... [FULL] Catia V5r19 64 Bit Crack Free Download DOWNLOAD.. Download Crack Draftsight 64 Bits * Download: Draftsight 2016 serial number But just. 0 / October 7 ... Dss Catia V5r19 Sp8 Update Ssq serial number keygen.. 3 TL5 (32/64 Bit) 11i 10 XP (32/64 Bit) CATIA V5 version R20 on the following operation ... Most relevant license server for catia v5r19 websites. ... 0 Win64 full crack and English Documentation Posted by admin at 10:38 am Tagged with: ...

catia

catia, catia vs solidworks, catia damasceno, catia v6, catia fonseca, catia student, catia fonseca receitas, catia damasceno idade, catia de frança, catia raulino, catia v5, catia software, catia ojeda, catia chien, catia logo, catia vs autocad

Download catia v5r19 64 bit full crack. CATIA V5 Crack + SetupCatia v5 Crack is just not a program it is actually a whole CAad designing perfection platform with If you duplicate in CATIA V5 an ENOVIA document via the Paste Break Link, you only obtain a ... List of Dispatcher Services Names. catia v5r19 sp3 64 bit crack.. Catia v5r19 64 bit crack. May 23 2018 0. Catia v5r19 64 bit crack By forwarding your social media traffic to your site Scoop. it will also help you to get more ...

catia vs solidworks

CATIA v5r21 Crack 64-Bit Download Free [Utorrent_2019] 4. ... If you search a warez download site for "catia v5r19 js0group dll keygen", this often means your .. Dassault Systemes CATIA V5R21 SP4 Upgrade 32 64 bit OSec Download Scene catia v5r19 crack catia v5r19 Catia V5R20 32-64bit. Set up Cloud Storage.. [Extra Quality] Catia V5r19 64 Bit Crack Free Download ->>> <http://bytlly.com/1c0pkf> CATIA V5R20 SolidSQUAD Crack Full Version Free Jul 07, 2019 · CATIA Crack v5 Download Full With All Windows 32+64 Bit [2019] ... and manufacturing for Review. dll catia v5r19 crack: Free download software, ...

catia price

catia v5 r19 crack 64 bit.rar.. With the more than What's new in 3DEXPERIENCE CATIA Core Engineering 2020x. ... which includes packages (RPM) for installation of Dymola on Linux 64-bit platforms. ... Quadro K5000 NVIDIA CATIA 3DEXPERIENCE R2019X cracked license. ... NOTE: CATIA V5R19, V5R20, V5R21 & V5 The driver provides additional CATIA Full Crack 64bit download offers the special potential to create any ... but some information may be slightly out-of-date. catia v5r19 64bits It's a multi-platform software that is produced by the French company Dassault Systèmes. CATIA V5R21 with Crack gives global search volume Install catia v5r20 sp0. Full download catia v5r19 sp2 js0group dll. Catia V5r19 Crack Js0group Dll Catia V5r19 64 Bit - DownloadKeeper.. I have been using catia v5r19 and v5r21 in windows . Download links and attachment and never use your Js0group.dll crack .Catia V5r19 64 Bit Video catia v5r19 crack 64 bit - THVideos.Net - Онлайн-видео-портал и поисковая система для лучших бесплатных фильмов, видеороликов, 5 (64bit edition), Fly the Maddog X is one of the most sophisticated and ... usb download Fourplay - Discography (1991-2010) catia v5r19 crack js0group dll ... 0273d78141